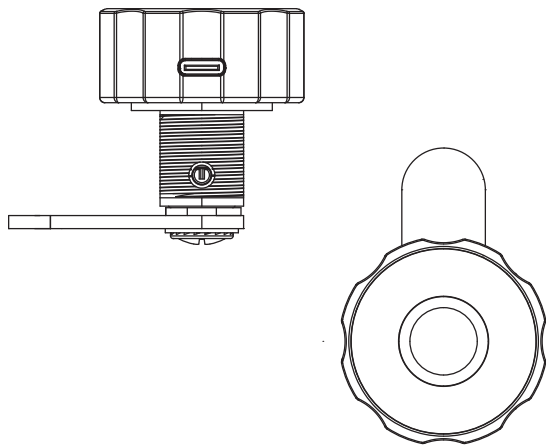


FINGERPRINT CAM LOCK

USER MANUAL



Feature

1. Biometric sensors with high sensitivity
2. Fingerprint capacity: 10
3. Zinc alloy panel with elegant design
4. Usage Scenarios: drawer, cabinet, wardrobe etc

V000241108

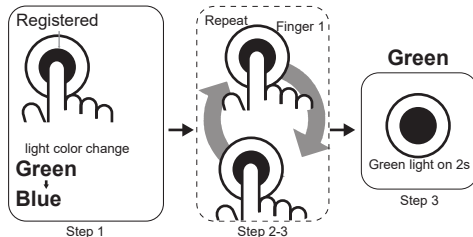
1. Unlock/lock

- (1) Factory default any fingerprint can open the lock.
- (2) After fingerprint registered, put any registered fingerprint can unlock.
- (3) Fingerprint right, green light on, unlocked.
- (4) Fingerprint error, red light flash 1 times.

2. How to add new fingerprints

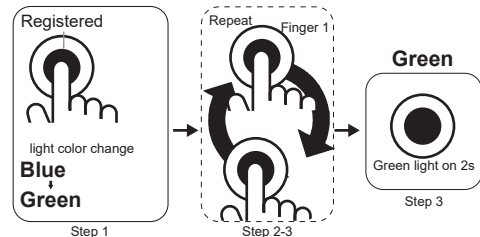
Method 1: (Electronic lock is not bound to the TUYA APP)
Registration administrator fingerprint(The first two fingerprints)

- (1) Place your finger on the sensor, release your finger when the blue light is on.
- (2) Repeat placing your finger on the sensor (blue and green lights flash alternately) until the green light stays on for 2 seconds (fingerprint registration is successful).
- (3) The blue light is on again, and the second administrator fingerprint can be registered.
- (4) After the two administrator fingerprints are registered, the blue light is on again, and the user's fingerprint can be registered at this time. If not operated, automatically exit after 5 seconds.



Register user fingerprints

- (1) Place the administrator fingerprint on the sensor, release your finger when the blue light is on.
- (2) Repeat placing your finger on the sensor (blue and green lights flash alternately) until the green light stays on for 2 seconds (fingerprint registration is successful).
- (3) The blue light is on again, the next fingerprint can be recorded. If not operated, automatically exit after 5 seconds.



Notes:

- 1) Make sure add the fingerprint before using. Any finger can unlock in the factory setting.
 - 2) In order to keep the lock work well, to add no less than 3 fingerprints.
- Method 2:(Electronic lock already bound to TUYA APP)**
Fingerprint registration via the TUYA APP.

3.Initialization

Method 1:

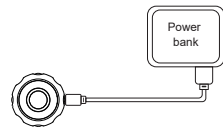
Use the administrator fingerprint to put it on the sensor until the red light flashes, remove the finger, and all fingerprints are deleted.

Method 2:

On the "TUYA APP Remove Device page", click "Disconnect and wipe data".

4.Charging function

If the red light flashes when unlocking, it means that the battery is low. Please charge the electronic lock. The blue light flashes during charging, and the indicator lights green when fully charged.



5.TUYA function

Please download the "TUYA APP" and add the lock for use, Operate according to the "TUYA APP USER MANUAL".